

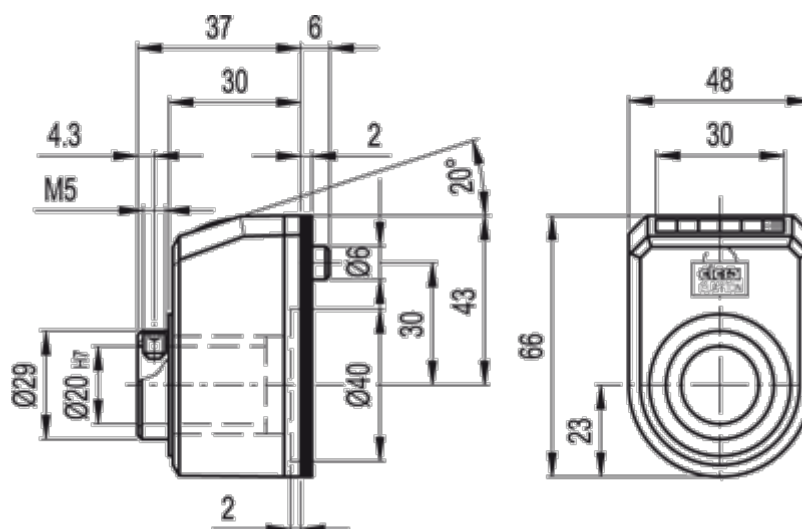
# Data Sheet



Article number: 2307083653

Description: E+G Direct drive position indikator  
DD52R-FR-0001.0-D-C2 (Orange)

## Measures



Max rpm = 1500